

FLUSHING KITS

TUFWAY

WESTERN

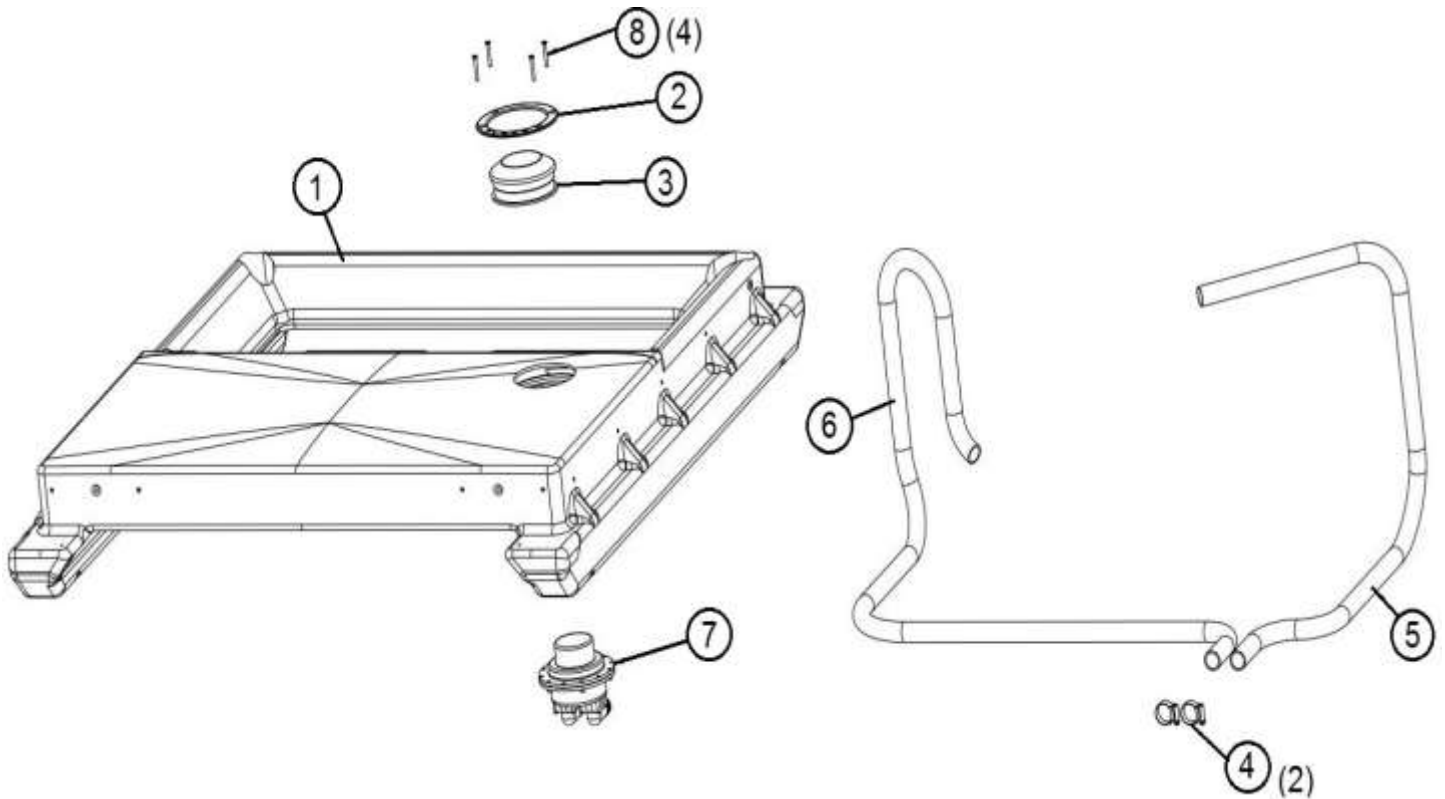
RECIRCULATING

MAXIM 3000



TUFWAY RECIRCULATING FOOT FLUSH

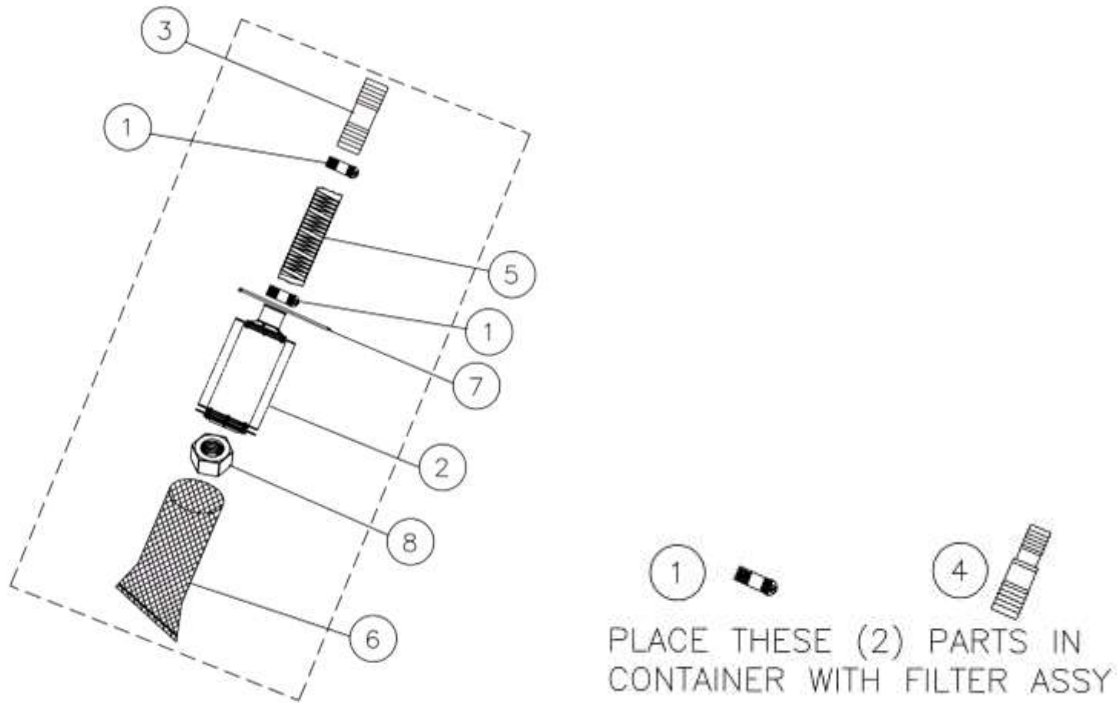
BASE ASSEMBLY



REV B ITEM #	PART#	QTY PER UNIT	DESCRIPTION	PRICE EACH
	22381	1	BASE ASSY- BLOWMOLDED F/FLUSH	
1	22234	1	BASE- BLOWMOLDED Bolt/w washer may be needed item#22384 (6 per base)	
2	16969	1	BEZEL- FOOT PUMP	
3	15801	1	BOOT- BUTTON PUMP (BLUE)	
4	12588	2	CLAMP- WORMDRIVE #12	
5	17097	1	HOSE- 3/4 X 72 GREEN	
6	20785	1	HOSE- 3/4 X 85 GREEN W/CUFFS	
7	21013	1	PUMP- ELBOW GUZZLER FOOT	
8	17505	4	SCREW- #10-24 X 1-1/2 STNLS PH	

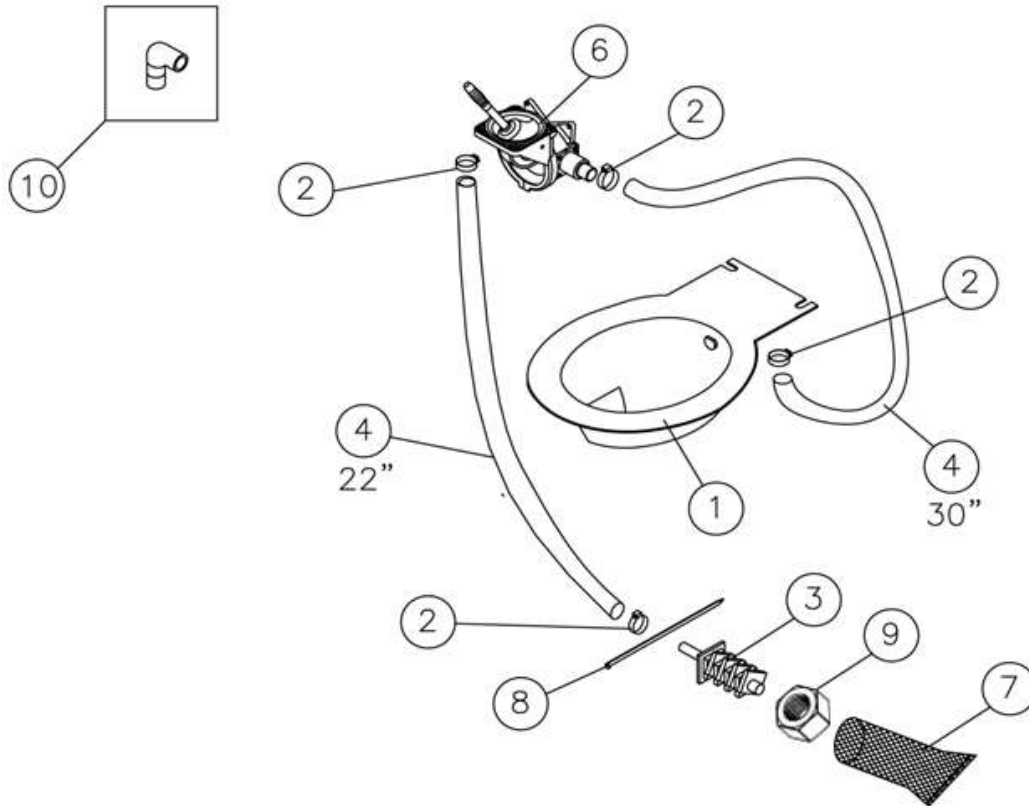
TUFWAY RECIRCULATING FOOT FLUSH

FILTER ASSEMBLY



REV E ITEM #	PART#	QTY PER UNIT	DESCRIPTION	PRICE EACH
	21048	1	FILTER ASSY- TFW FOOT FLSH	
1	12588	4	CLAMP- WORMDRIVE #12	
2	15143	1	FILTER- RECIRCULATING FLUSH	
3	21042	1	FITTING- 1in INS X 1in INS PVC	
4	21187	1	FITTING- 3/4 INS X 1 INS POLY	
5	14384	10"	HOSE- #44 FLEX	
6	16949	1	SCREEN- TURBO RECIRC FILTER	
7	11261	1	TIE- WIRE 6in	
8	21697	1	NUT- 1-1/8-7 UNC STNLS	
	20939	1	INSTRUCTION- TFW F/FLSH RT/BS (NOT SHOWN)	

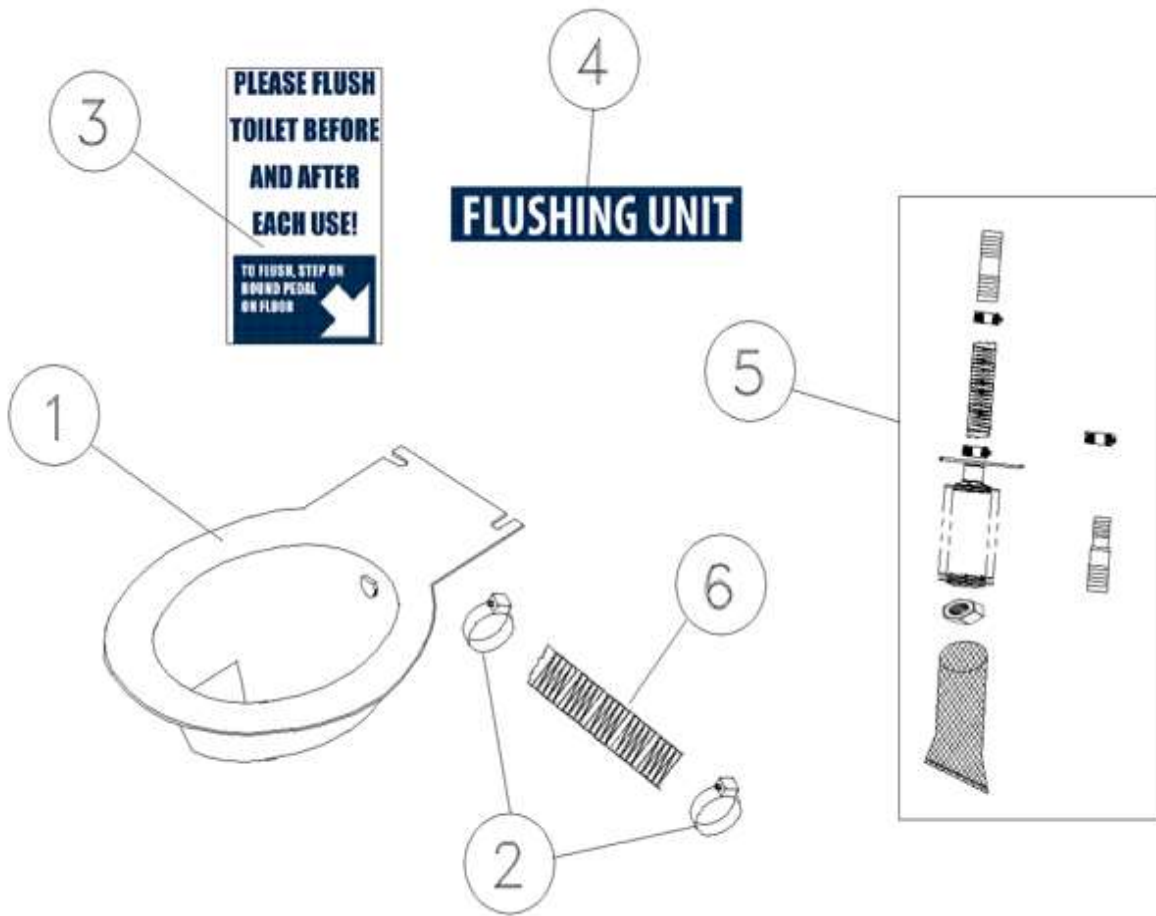
WESTERN FLUSH KIT



WESTERN FLUSH IS COMPATIBLE WITH: TUFWAY • TAURUS • MAXIM 2000 • MAXIM 3000 • MAXIM 3000 II
 HIGH TECH I • GLOBAL • GLOBAL 1.5 • FREEDOM 3 • LIBERTY

REV M ITEM #	PART#	QTY PER UNIT	DESCRIPTION	PRICE EACH
	15643	1	KIT- WESTERN FLSH H/PUMP RECIR	
1	18473	1	BOWL ASSY- FLUSH-II	
2	12588	4	CLAMP- WORMDRIVE #12	
3	15143	1	FILTER- RECIRCULATING FLUSH	
4	14384	52"	HOSE- #44 FLEX	
5	15644	1	INSTRUCTIONS- WEST H/FLSH RECIR (NOT SHOWN)	
6	19173	1	PUMP- BILGE W/ELBOW (ELBOW ONLY #14958)	
7	16949	1	SCREEN- TURBO RECIRC FILTER	
8	11261	1	TIE- WIRE 6in	
9	21697	1	NUT- 1-1/8-7 UNC STNLS	
10	14958	1	ELBOW- 90 1in PMP SLP X BOR HS (OLD PUMP) (ON 19173) #6	

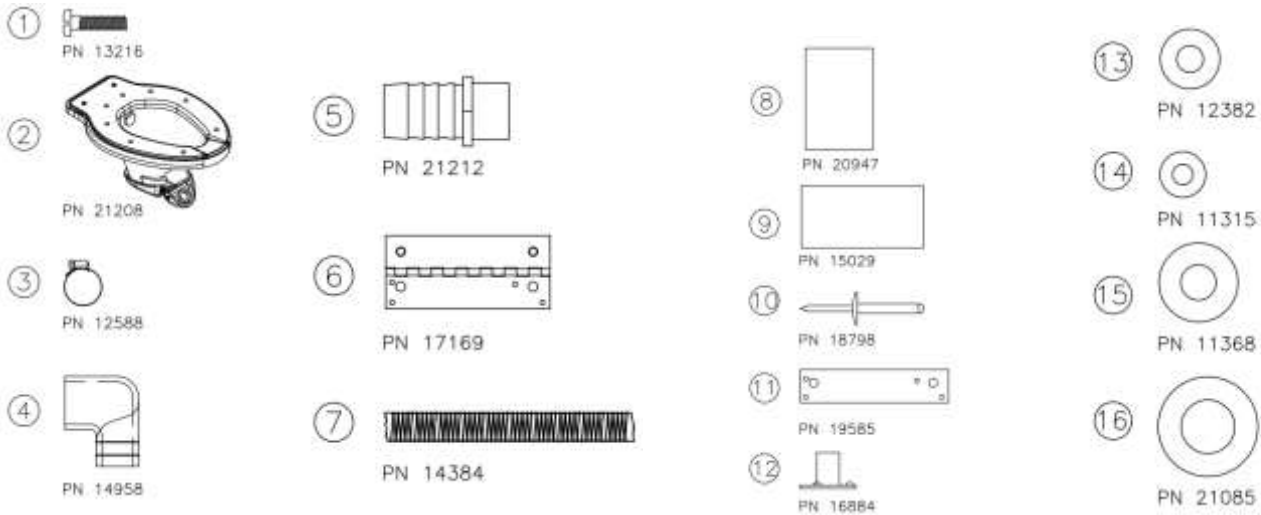
KIT- RECIR FRESH FLUSH NO/FLAPPER



REV B ITEM #	PART#	QTY PER UNIT	DESCRIPTION	PRICE EACH
	21199	1	KIT- RECIR F/FLSH NO/FLAP	
1	18473	1	BOWL ASSY- WESTERN NO/FLAPPER	
2	12588	2	CLAMP- WORMDRIVE #12	
3	21150	2	DECAL- FOOT FLUSHING	
4	21151	1	DECAL- FLUSHING UNIT	
5	21048	1	FILTER ASSY- TFW FOOT FLSH	
6	14384	6"	HOSE- #44 FLEX	
7	21147	1	INSTR- RECIC F/FLSH NO FLAP (NOT SHOWN)	

KIT- RECIR H/FLSH W/FLAPPER

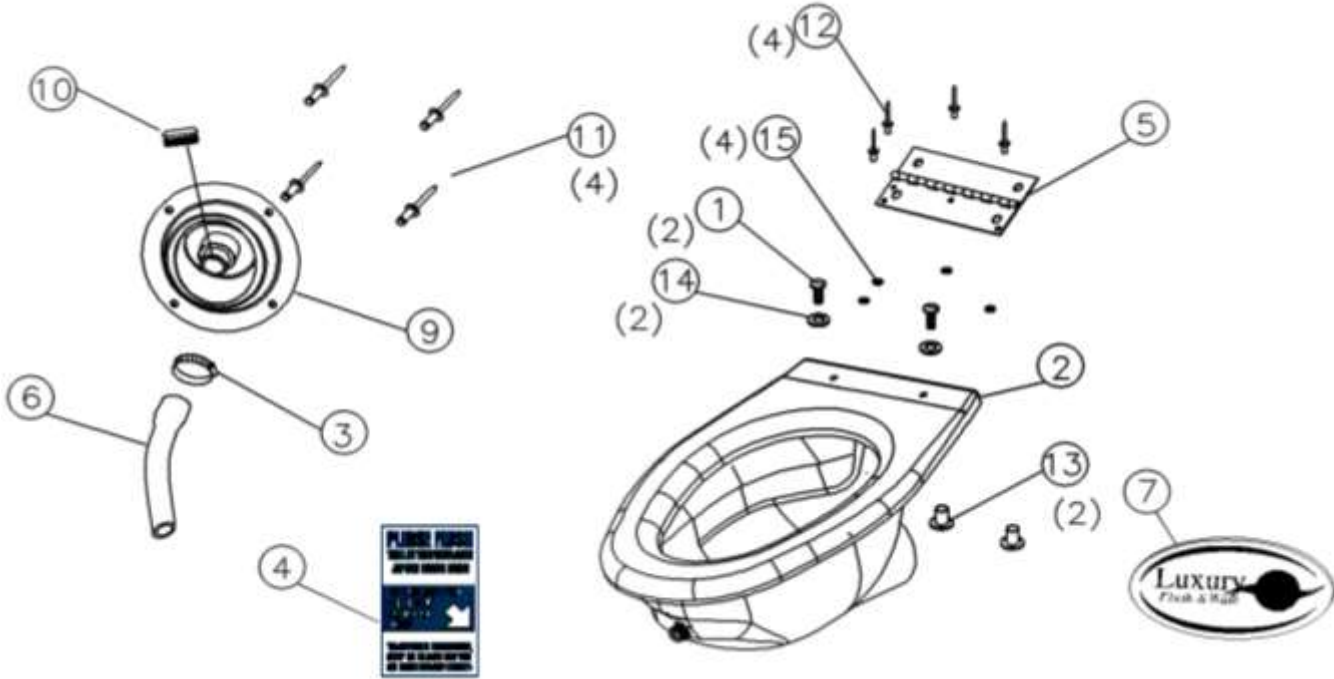
TUFWAY- TAURUS- MAXIM 2000- MAXIM 3000- MAXIM 3000 II- HIGH TECH I- GLOBAL- GLOBAL 1.5-
FREEDOM 3 AND LIBERTY RESTROOM MODELS



REV F ITEM #	PART#	QTY PER UNIT	DESCRIPTION	PRICE EACH
	20946	1	KIT- RECIR H/FLSH W/FLAPPER	
1*	13216	2	BOLT- 1/4-20 X 3/4 SLOT PNHD	
2	21208	1	BOWL ASSY- F/FLSH H/FLSH W/FLP	
3	12588	2	CLAMP- WORMDRIVE #12	
4	14958	1	ELBOW- 90 1in PMP SLP X BOR HS	
5	21212	1	FITTING- 3/4 FPT X 1 INS PVC	
6	17169	1	HINGE- FLUSH BOWL	
7	14384	22	HOSE- #44 FLEX	
8	20947	1	INSTR- RECIR H/FLSH W/FLAP	
9	15029	1	PUMP ASSY- H/FLSH	
10	18798	4	RIVET- #616 AAL POP	
11	19585	1	SPACER- STNLS BOWL	
12	16884	2	T-NUT- 1/4-20 X 3/4 PLTD	
13	12382	2	WASHER- 1/4 FLAT STNLS	
14	11315	4	WASHER- 3/16 RIVET STNLS	
15	11368	4	WASHER- 5/16 FLAT STNLS	
16	21085	1	WASHER- 1in FLAT STLNS	

MAXIM 3000® FRESH FLUSH PLASTIC

REPLACEMENT PARTS ONLY



MAXIM 3000® FRESH FLUSH

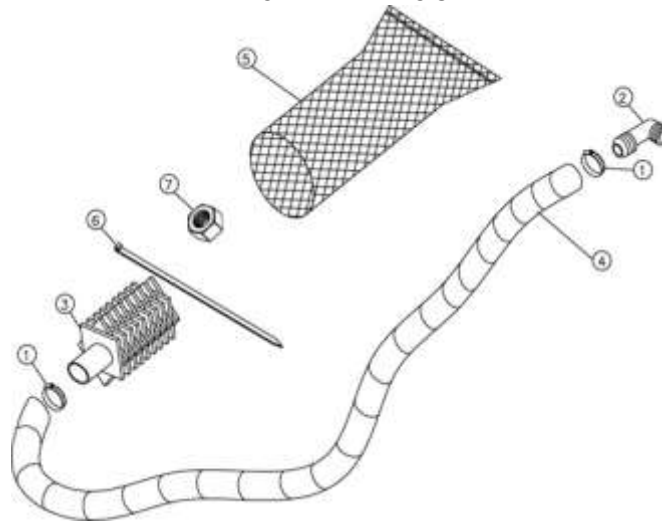
REV K ITEM#	PART#	QTY PER UNIT	DESCRIPTION	PRICE EACH
	17816	1	KIT- MX3 FRESH FOOT PLST BOWL	NOT SALEABLE
1*	13216	2	BOLT- 1/4-20 X 3/4 SLOT PNHD	
2	17442	1	BOWL ASSY- MX3 TURBO W/COLLAR	
3	10281	1	CLAMP- WORMDRIVE #20	
4	21150	1	DECAL- FOOT FLUSH	
5	17169	1	HINGE- FLUSH BOWL	
6	15968	1	HOSE- 1 X 8 GREEN	
7	17318	1	ICON- UPGRADE DECAL	
9	16858	1	PLATE- FILL/PUMP-OUT	
10	17224	1	PLUG- 1-5/8 ROUND HOLE	
11*	17436	4	RIVET- AVDEL SILVER	
12*	11270	4	RIVET- #68 STNLS	
13*	16884	2	T-NUT- 1/4-20 X 3/4 PLTD	
14*	12382	2	WASHER- 1/4 FLAT STNLS	
15*	11315	4	WASHER- 3/16 RIVET STNLS	
	19050	1	INSTRUCTIONS- MX3 TUR PLST BLOW (NOT SHOWN)	

* ONLY SOLD IN MULTIPLES OF 100

REPAIR PARTS

REV	PART#	QTY PER UNIT	DESCRIPTION	PRICE EACH
B	18873	1	KIT- BILGE INNER/OUTER PLATES CONSISTS OF: 1. INNER PLATE- 2. OUTER PLATE- 3. SCREW- 4. NUT- 5. LARGE CIRCLIP (2) 6. SMALL CIRCLIP (2)	
B	15939	1	SLEEVE- BILGE HANDLE REPLACEMENT	
B	18875	1	KIT- BILGE UNDERDECK RING	
B	18877	1	KIT- BILGE GAITER FOR DECKPLATE CONSISTS OF: 1. DIAPHRAGM	
C	16713	1	KIT-BILGE VALVE REPLACEMENT (PUMP NOT INCLUDED IN KIT) CONSISTS OF: 1. DIAPHRAGM- 2. INLET VALVE- 3. OUTLET VALVE- 4. SMALL CIRCLIPS (2) 5. LARGE CIRCLIPS (2)	
E	17623	1	HOSE ASSY- SWISH	
F	14933		FLAPPER – SWISH BOWL (JUST FLAPPER)	
D	16410		KIT-SWISH FLAPPER REPLACEMENT	
A	20508	1	BOOT- BABY FOOT PUMP (BLACK)	
B	19010	1	KIT- BILGE HANDLE ASSY FOR BILGE PUMP #14877- 15512 & 19173	

MAXIM 3000® TURBO RECIRC ADD-ON
REPLACEMENT PARTS ONLY



REV E ITEM#	PART#	QTY PER UNIT	DESCRIPTION	PRICE EACH
	17332	1	KIT- MX3 TURBO RECIRC ADD-ON	NOT SALEABLE
1	10281	2	CLAMP- WORMDRIVE #20	
2	10443	1	ELBOW- 90 3/4 MPT X 1 INS NYL	
3	15143	1	FILTER- RECIRCULATING FLUSH	
4	10615	60	HOSE- 1in CLEAR POLYBRAID	
5	16949	1	SCREEN- TURBO RECIRC FILTER	
6	11261	1	TIE- WIRE 6in	
7	21697	1	NUT- 1-1/8-7 UNC STNLS	
	17386	1	INSTRUCTIONS- MX3 TURBO RECIRC (NOT SHOWN)	



Revolutionary New Fragrances have High Note, Staying Power and Increased Odor Control.

"This fragrance technology is going to revolutionize Safe-T-Fresh deodorizers and cleaning products," said Ramya Kothamasu.

Ramya is the research scientist at Safe-T-Fresh in Cedar Park, TX. She has a degree in chemical engineering, with an emphasis on organic, surfactant and fragrance compounds.

"Basically, this new formula has the ability to chemically change odor molecules," said Ramya. "Most fragrances simply mask odors, which only has a limited affect on odor control. But now, odor control will last the entire service cycle."

Ramya is also very excited about the purity of the new fragrances, saying "the best way to describe the difference is dynamic. For instance, if you compare our current cherry with our new cherry fragrance, you would say it is a purer scent. A higher note!"

Safe-T-Fresh customers will soon be hitting a "higher note" with their customers as well, using their favorite fragrance or one of two new ones, lavender and Cherry Blossom!

Improving our fragrances is one way Safe-T-Fresh helps you stay ahead of your competition. It's also how we stay ahead of ours.

Call today to order our new Lavender fragrance in either STF or Fresh Form liquids. It's dynamite!

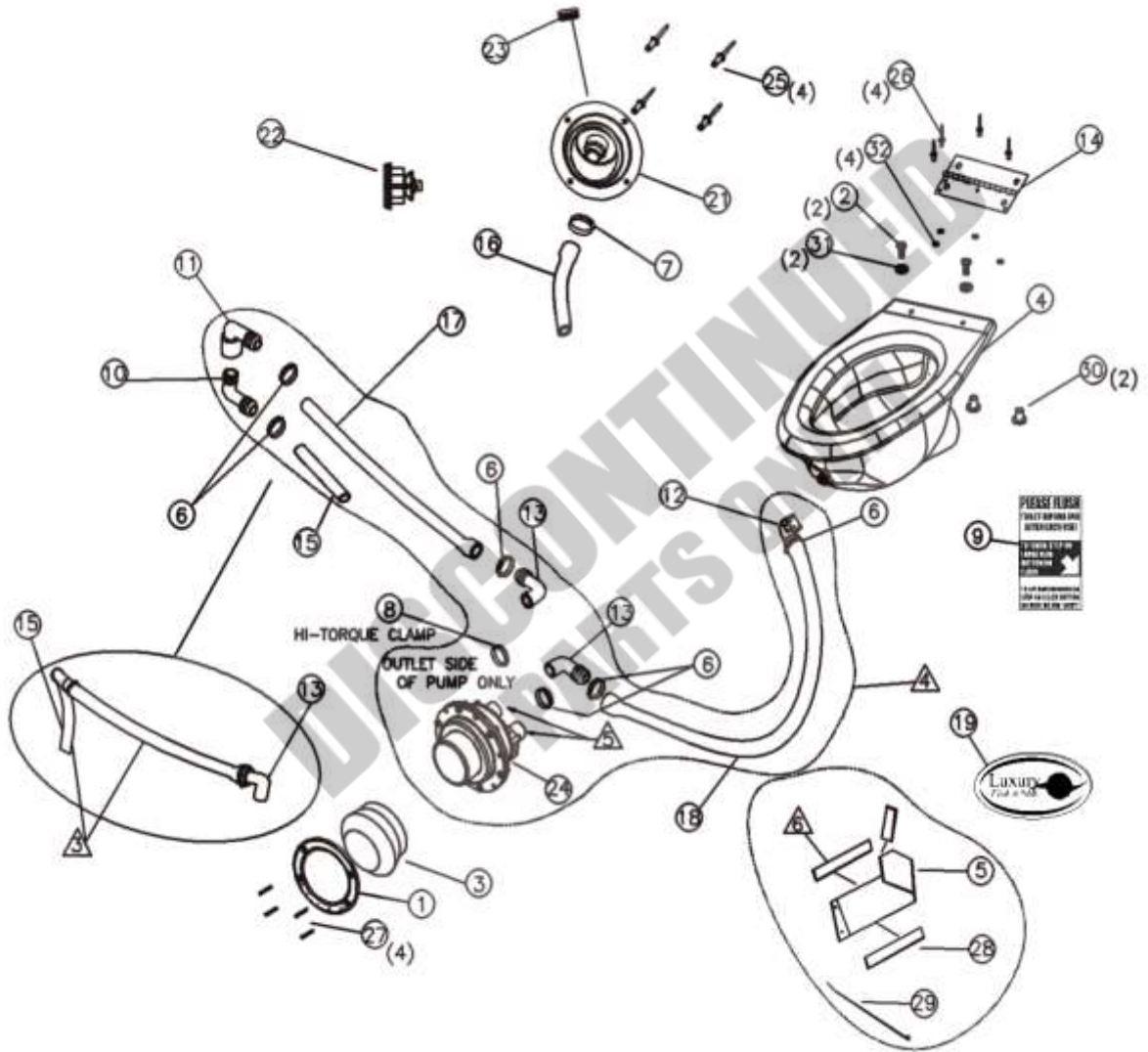


877-764-7297
www.safetfresh.com

Ramya Kothamasu
Research Scientist
Safe-T-Fresh

SAFE T FRESH
Odor Control...Guaranteed!

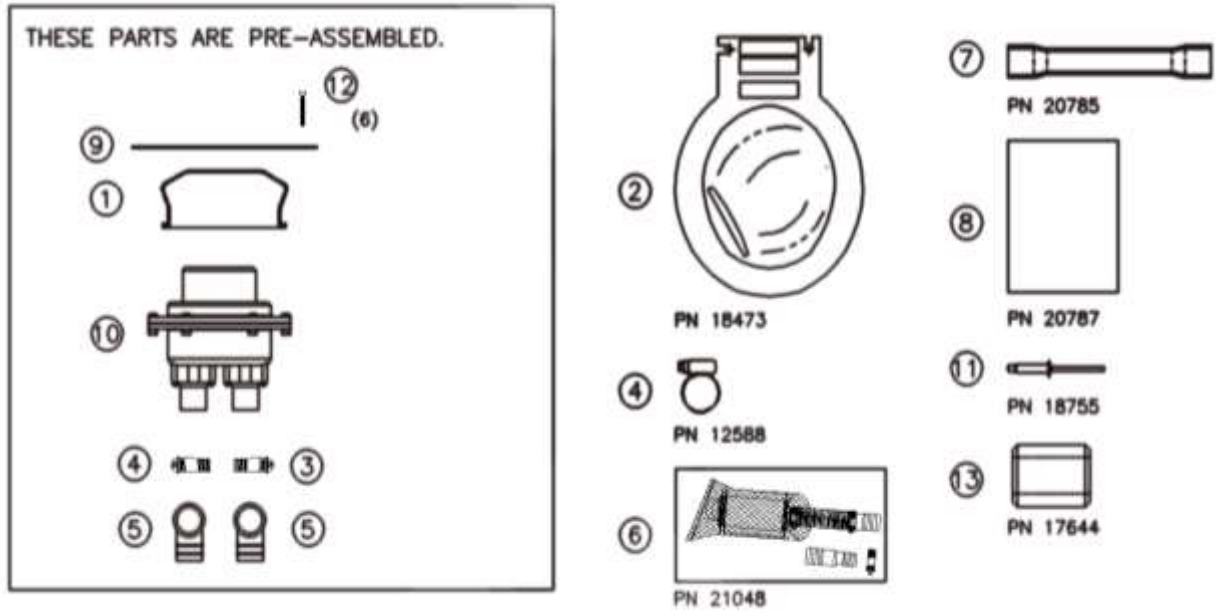
KIT- MX3 FRESH FOOT FLUSH NO/FLAPPER RETRO
 REPLACEMENT PARTS ONLY



KIT- MX3 FRESH FOOT FLUSH NO/FLAPPER RETRO
REPLACEMENT PARTS ONLY

REV M ITEM#	PART#	QTY PER UNIT	DESCRIPTION	PRICE EACH
	17444	1	KIT- MX3 FRSH F/FLSH N/FL RETR	NOT SALEABLE
1	16969	1	BEZEL- FOOT PUMP	
2	13216	2	BOLT- 1/4-20 X 3/4 SLOT PNHD	
3	15801	1	BOOT- BUTTON PUMP	
4	17442	1	BOWL ASSY- MX3 PLST NO/FLAPPER	
5	17747	1	BRACKET- TURBO HOSE COVER PLST	
6	12588	6	CLAMP- WORMDRIVE #12	
7	10281	1	CLAMP- WORMDRIVE #20	
8	17498	1	CLAMP- #30 HI-TORQUE	
9	21150	1	DECAL- FOOT FLUSHING	
10	11977	1	ELBOW- 90 3/4 MPTX3/4 INS POLY	
11	14675	1	ELBOW- 90 3/4 FPT X 3/4 INS	
12	18145	1	ELBOW- 90 3/4 FPT X3/4 INS BLK	
13	14958	2	ELBOW- 90 1in PMP SLP X BOR HS	
14	17169	1	HINGE- FLUSH BOWL	
15	16222	7.5"	HOSE- 3/4 ROLLERFLEX GREEN	
16	15968	1	HOSE- 1 X 8 GREEN	
17	17096	1	HOSE- 3/4 X 25 GREEN	
18	17097	1	HOSE- 3/4 X 72 GREEN	
19	17318	1	ICON- UPGRADE DECAL	
20	17823	1	INSTR- MX3 FRSH F/FLSH RETRO	
21	16858	1	PLATE- MX3 FILL/PUMP-OUT DGRY	
22	17458	1	PLUG- 2in RUBBER HOLE	
23	22383	1	PLUG - URINAL MAXIM 3000 II	
24	17504	1	PUMP- STRAIGHT GUZZLER FOOT	
25	17436	4	RIVET- AVDEL SILVER	
26	11270	4	RIVET- #68 STNLS	
27	17505	4	SCREW- #10-24 X 1-1/2 STNLS PH	
28	17748	16"	STRIP- 1in ADHESIVE DOUBL BACK	
29	11470	1	TIE- WIRE 12in	
30	16884	2	T-NUT- 1/4-20 X 3/4 PLTD	
31	12382	2	WASHER- 1/4 FLAT STNLS	
32	11315	4	WASHER- 3/16 RIVET STNLS	

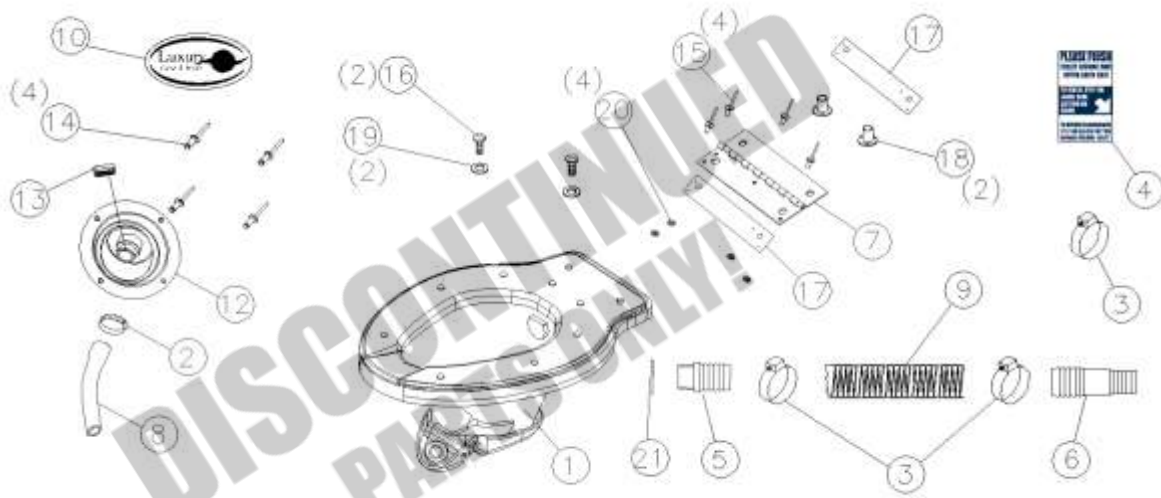
KIT- MX3/TRS REC FOOT FLUSH WASTE BOWL



REV B ITEM#	PART#	QTY PER UNIT	DESCRIPTION	PRICE EACH
	20786	1	KIT- MX3/TRS REC F/FLSH WST/BL	
1	15801	1	BOOT- BUTTON PUMP (BLUE)	
2	18473	1	BOWL ASSY- WESTERN NO/FLAPPER	
3	17498	1	CLAMP- #30 HI-TORQUE	
4	12588	3	CLAMP- WORMDRIVE #12	
5	14958	2	ELBOW- 90 1in PMP SLP X BOR HS	
6	21048	1	FILTER ASSY- RECIRCULATING	
7	20785	2	HOSE- 3/4 X 85 GREEN W/CUFFS	
8	20787	1	INSTR- MX3/TRS REC F/FLSH W/BL	
9	18970	1	PLATE- HT2 FLUSH PUMP	
10	17504	1	PUMP- STRAIGHT GUZZLER FOOT	
11	18755	8	RIVET- AVDEL SILVER LONG	
12	19184	6	SCREW- #10-24 1-1/2 STNLS PHPN	
13	17644	1	TUBE- RESTRICTOR	

KIT- MX3 RESH FOOT FLUSH PLASTIC W/FLAPPER

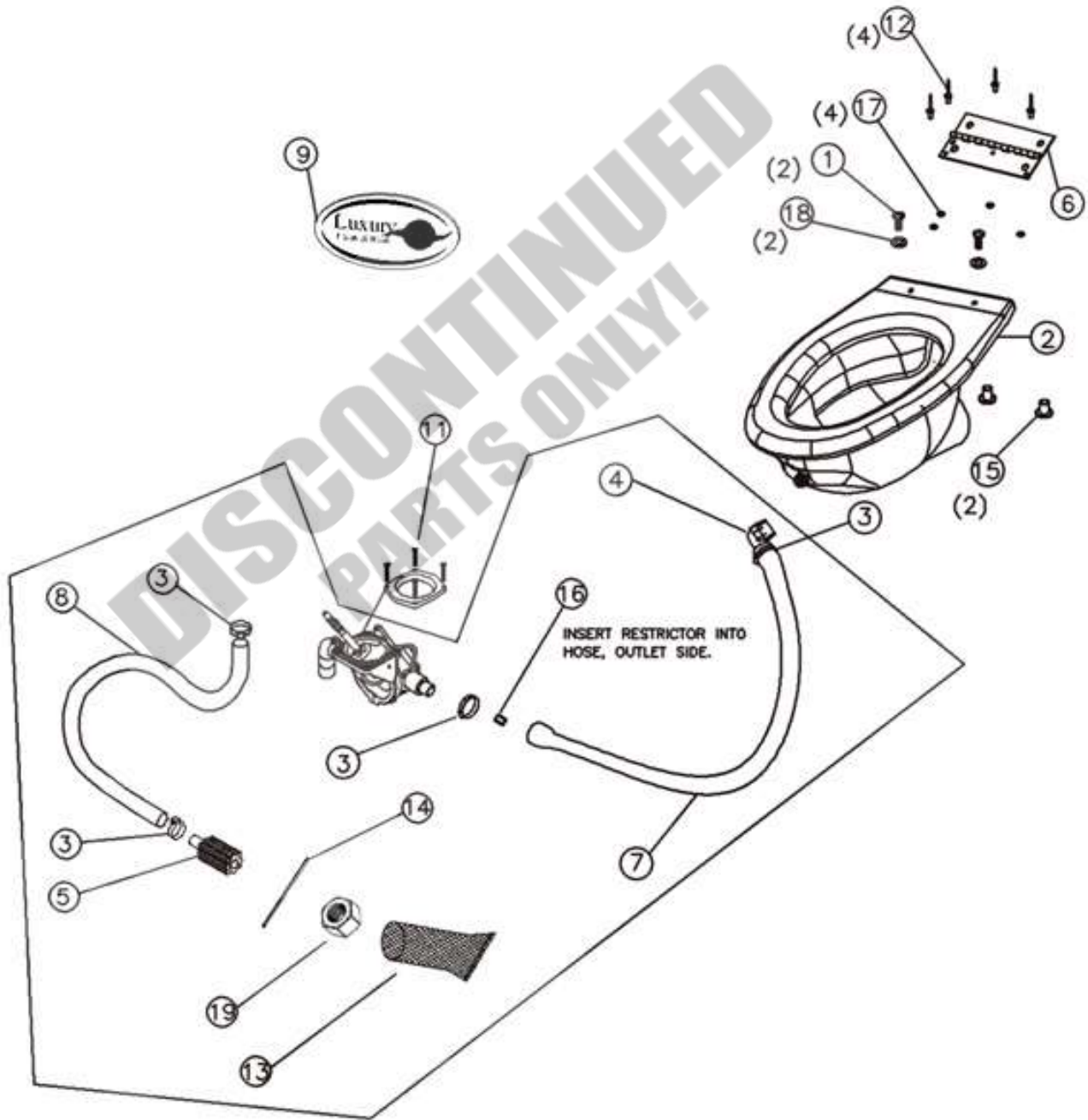
REPLACEMENT PARTS ONLY



KIT- MX3 FRESH FOOT FLUSH PLASTIC W/FLAPPER

REV A ITEM#	PART#	QTY PER UNIT	DESCRIPTION	PRICE EACH
	21765	1	KIT- MX3 FRSH F/FLSH PL W/FLAP	NOT SALEABLE
1	21208	1	BOWL ASSY- PLST F/FLSH W/FLAP	
2	10281	1	CLAMP- WORMDRIVE #20	
3	12588	3	CLAMP- WORMDRIVE #12	
4	21150	1	DECAL- FOOT FLUSHING	
5	21212	1	FITTING- 3/4 FPT X 1 INS PVC	
6	21187	1	FITTING- 3/4 INS X 1 INS POLY	
	20943	1	FLAPPER- MX3 TURBO BOWL STNLS (works on plastic)	
7	17169	1	HINGE- FLUSH BOWL	
8	15968	1	HOSE- 1 X 8 GREEN	
9	14384	8"	HOSE- #44 FLEX	
10	17318	1	ICON- UPGRADE DECAL	
11	21766	1	INSTR- MX3 FRSH F/FLSH W/FLAP	
12	16858	1	PLATE- MX3 FILL/PUMP-OUT DGRY	
13	17224	1	PLUG- 1-5/8 ROUND HOLE	
14*	17436	4	RIVET- AVDEL SILVER	
15	18798	4	RIVET- #616 AAL POP	
16*	18718	2	SCREW- 1/4-20 X 1 TRUSS HEAD	
17	19585	2	SPACER- STNLS BOWL	
18	16884	2	T-NUT- 1/4-20 X 3/4 PLTD	
19	12382	2	WASHER- 1/4 FLAT STNLS	
20	11315	4	WASHER- 3/16 RIVET STNLS	
21	21085	1	WASHER- 1in FLAT STLNS	

KIT- MX3 REC HAND FLUSH NO/FLAPPER
 REPLACEMENT PARTS ONLY

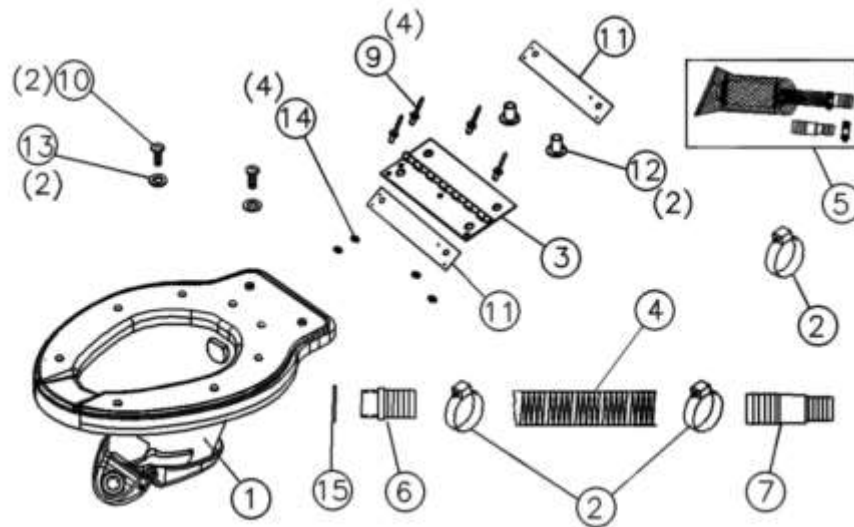


KIT- MX3 REC HAND FLUSH NO/FLAPPER
REPLACEMENT PARTS ONLY

REV K ITEM#	PART#	QTY PER UNIT	DESCRIPTION	PRICE EACH
	17642	1	KIT- MX3 REC H/FLSH NO/FLAP	NOT SALEABLE
1*	13216	2	BOLT- 1/4-20 X 3/4 SLOT PNHD	
2	17442	1	BOWL ASSY- MX3 PLST NO/FLAPPER	
3	12588	4	CLAMP- WORMDRIVE #12	
4	18145	1	ELBOW- 90 3/4 FPT X3/4 INS BLK	
5	15143	1	FILTER- RECIRCULATING FLUSH	
6	17169	1	HINGE- FLUSH BOWL	
7	17643	1	HOSE- 3/4 X 28 GREEN	
8	14384	35"	HOSE- #44 FLEX	
9	17318	1	ICON- UPGRADE DECAL	
	17645	1	INSTR- MX3 RECI H/FLSH NO/FLAP	
11	19173	1	PUMP- BILGE W/ELBOW (ELBOW ONLY #14958)	
12*	11270	4	RIVET- #68 STNLS	
13	16949	1	SCREEN- TURBO RECIRC FILTER	
14	11261	1	TIE- WIRE 6in	
15	16884	2	T-NUT- 1/4-20 X 3/4 PLTD	
16	17644	1	TUBE- RESTRICTOR	
17*	11315	4	WASHER- 3/16 RIVET STNLS	
18*	12382	2	WASHER- 1/4 FLAT STNLS	
19	21697	1	NUT- 1-1/8-7 UNC STNLS	

KIT- MX3 RECIR FOOT FLUSH W/FLAPPER

Can be used on Tufway- Maxim 3000- Maxim 3000 II- Global- Global 1.5 and High Rise



REV E ITEM#	PART#	QTY PER UNIT	DESCRIPTION	PRICE EACH
	21301	1	KIT- MX3 RECIR F/FLSH W/FLAP	
1	21208	1	BOWL ASSY- PLST F/FLSH W/FLAP	
2	12588	3	CLAMP- WORMDRIVE #12	
3	17169	1	HINGE- FLUSH BOWL	
4	14384	8"	HOSE- #44 FLEX	
5	21048	1	FILTER ASSY- RECIRC F/FLSH	
6	21212	1	FITTING- 3/4 FPT X 1 INS PVC	
7	21187	1	FITTING- 3/4 INS X 1 INS POLY	
	20943	1	FLAPPER- MX3 TURBO BOWL STNLS (works on plastic)	
8	21333	1	INSTR- MX3 RECIR F/FLSH W/FLAP	
9	18798	4	RIVET- #616 AAL POP	
10*	18718	2	SCREW- 1/4-20 X 1 TRUSS HEAD	
11	19585	2	SPACER- STNLS BOWL	
12*	16884	2	T-NUT- 1/4-20 X 3/4 PLTD	
13*	12382	2	WASHER- 1/4 FLAT STNLS	
14*	11315	4	WASHER- 3/16 RIVET STNLS	
15	21085	1	WASHER- 1in FLAT STLNS	